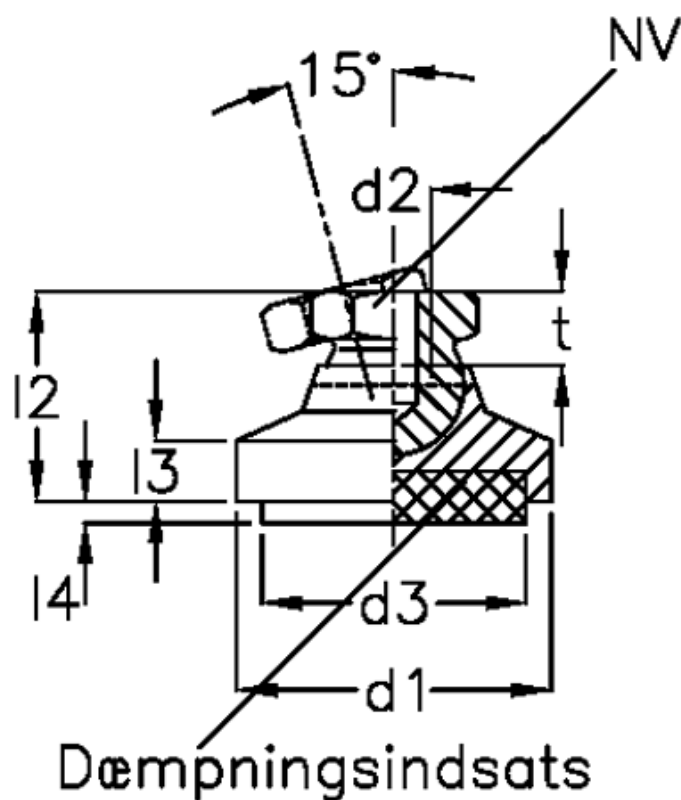


Article number: 20955503

Description: E+G Levelling foot  
GN 342.1-60-M16-SV

## Measures



Area(m <sup>2</sup> ) damping insert	= 2641	l4 compression 0.6 N/mm <sup>2</sup>	= 4.9
d1	= 60	Load (N) by compression 0.4 N/mm <sup>2</sup>	= 1050
d2	= M16	t	= 16.0
d3	= 58		
l2	= 38.5		
l3	= 11.0		
l4 compression 0 N/mm <sup>2</sup>	= 7.0		
l4 compression 0.4 N/mm <sup>2</sup>	= 5.8		